



DEPARTMENT OF REGULATORY AND ECONOMIC RESOURCES (RER)  
BOARD AND CODE ADMINISTRATION DIVISION

**NOTICE OF ACCEPTANCE (NOA)**

MIAMI-DADE COUNTY  
PRODUCT CONTROL SECTION  
11805 SW 26 Street, Room 208  
T (786) 315-2590 F (786) 315-2599  
[www.miamidade.gov/economy](http://www.miamidade.gov/economy)

**Titan Glass & Aluminum, LLC**  
450 West 27<sup>th</sup> Street  
Hialeah, FL 33010

**SCOPE:**

This NOA is being issued under the applicable rules and regulations governing the use of construction materials. The documentation submitted has been reviewed and accepted by Miami-Dade County RER - Product Control Section to be used in Miami Dade County and other areas where allowed by the Authority Having Jurisdiction (AHJ).

This NOA shall not be valid after the expiration date stated below. The Miami-Dade County Product Control Section (In Miami Dade County) and/or the AHJ (in areas other than Miami Dade County) reserve the right to have this product or material tested for quality assurance purposes. If this product or material fails to perform in the accepted manner, the manufacturer will incur the expense of such testing and the AHJ may immediately revoke, modify, or suspend the use of such product or material within their jurisdiction. RER reserves the right to revoke this acceptance, if it is determined by Miami-Dade County Product Control Section that this product or material fails to meet the requirements of the applicable building code.

This product is approved as described herein, and has been designed to comply with the Florida Building Code, including the High Velocity Hurricane Zone.

**DESCRIPTION: Series "TSH-2750" Aluminum Single Hung Window – L.M.I.**

**APPROVAL DOCUMENT:** Drawing No. AD10-05, titled "TSH-2750 Aluminum Single Hung Window (LMI)", sheets 1 through 6 of 6, dated 11/14/12, with revision #2 dated 05/01/14, prepared by MCY Engineering, Inc., signed and sealed by Yiping Wang, P.E., bearing the Miami-Dade County Product Control Revision stamp with the Notice of Acceptance number and expiration date by the Miami-Dade County Product Control Section.

**MISSILE IMPACT RATING: Large and Small Missile Impact Resistant**

**LABELING:** Each unit shall bear a permanent label with the manufacturer's name or logo, city, state, model/series, and following statement: "Miami-Dade County Product Control Approved", unless otherwise noted herein.

**RENEWAL** of this NOA shall be considered after a renewal application has been filed and there has been no change in the applicable building code negatively affecting the performance of this product.

**TERMINATION** of this NOA will occur after the expiration date or if there has been a revision or change in the materials, use, and/or manufacture of the product or process. Misuse of this NOA as an endorsement of any product, for sales, advertising or any other purposes shall automatically terminate this NOA. Failure to comply with any section of this NOA shall be cause for termination and removal of NOA.

**ADVERTISEMENT:** The NOA number preceded by the words Miami-Dade County, Florida, and followed by the expiration date may be displayed in advertising literature. If any portion of the NOA is displayed, then it shall be done in its entirety.

**INSPECTION:** A copy of this entire NOA shall be provided to the user by the manufacturer or its distributors and shall be available for inspection at the job site at the request of the Building Official.

This NOA revises and renews NOA# 12-1128.02 and consists of this page 1 and evidence pages E-1 and E-2, as well as approval document mentioned above.

The submitted documentation was reviewed by Manuel Perez, P.E.



*Handwritten signature and date: 7/2/14*

NOA No. 14-0515.02  
Expiration Date: June 24, 2019  
Approval Date: July 10, 2014  
Page 1

Titan Glass & Aluminum, LLC

NOTICE OF ACCEPTANCE: EVIDENCE SUBMITTED

**A. DRAWINGS**

1. Manufacturer's die drawings and sections.
2. Drawing No **AD10-05**, titled "TSH-2750 Aluminum Single Hung Window (LMI)", sheets 1 through 6 of 6, dated 11/14/12, with revision #2 dated 05/01/14, prepared by MCY Engineering, Inc., signed and sealed by Yiping Wang, P.E.

**B. TESTS**

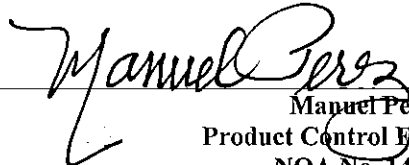
1. Test reports on: 1) Uniform Static Air Pressure Test, Loading per FBC TAS 202-94  
2) Large Missile Impact Test per FBC, TAS 201-94  
3) Cyclic Wind Pressure Loading per FBC, TAS 203-94  
along with marked-up drawings and installation diagram of a series FIW 2009-80 aluminum single hung window, prepared by Fenestration Testing Laboratory, Inc., Test Report No. **FTL-6057**, dated 10/05/09, signed and sealed by Julio E. Gonzalez, P.E.  
*(Submitted under NOA# 10-0422.06)*
2. Test reports on: 1) Air Infiltration Test, per FBC, TAS 202-94  
2) Uniform Static Air Pressure Test, Loading per FBC TAS 202-94  
3) Water Resistance Test, per FBC, TAS 202-94  
4) Large Missile Impact Test per FBC, TAS 201-94  
5) Cyclic Wind Pressure Loading per FBC, TAS 203-94  
6) Forced Entry Test, per FBC 2411 3.2.1, TAS 202-94  
along with marked-up drawings and installation diagram of a series FIW 2008 aluminum single hung window, prepared by Fenestration Testing Laboratory, Inc., Test Report No. **FTL-5743**, dated 12/30/08, signed and sealed by Michael R. Wenzel, P.E.  
*(Submitted under NOA# 09-0413.06)*

**C. CALCULATIONS**

1. Anchor verification calculations and structural analysis, complying with FBC-2007, prepared by MCY Engineering, Inc., dated 04/07/10, and updated to **FBC 5<sup>th</sup> Edition (2014)** on 05/12/14, signed and sealed by Yiping Wang, P.E.  
*(Submitted partially under NOA# 10-0422.06)*
2. Glazing complies with **ASTM E1300-04**.

**D. QUALITY ASSURANCE**

1. Miami-Dade Department of Regulatory and Economic Resources (RER)

  
Manuel Perez, P.E.  
Product Control Examiner  
NOA No. 14-0515.02  
Expiration Date: June 24, 2019  
Approval Date: July 10, 2014

NOTICE OF ACCEPTANCE: EVIDENCE SUBMITTED

**E. MATERIAL CERTIFICATIONS**

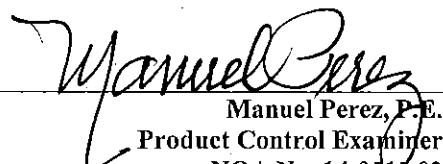
1. Notice of Acceptance No. **11-0624.02** issued to **E.I. DuPont DeNemours & Co., Inc.** for their "**DuPont SentryGlas® Interlayer**" dated 08/25/11, expiring on 01/14/17.
2. Notice of Acceptance No. **13-0129.27** issued to **E.I. DuPont DeNemours & Co., Inc.** for their "**DuPont Butacite® PVB Interlayer**" dated 04/11/13, expiring on 12/11/16.

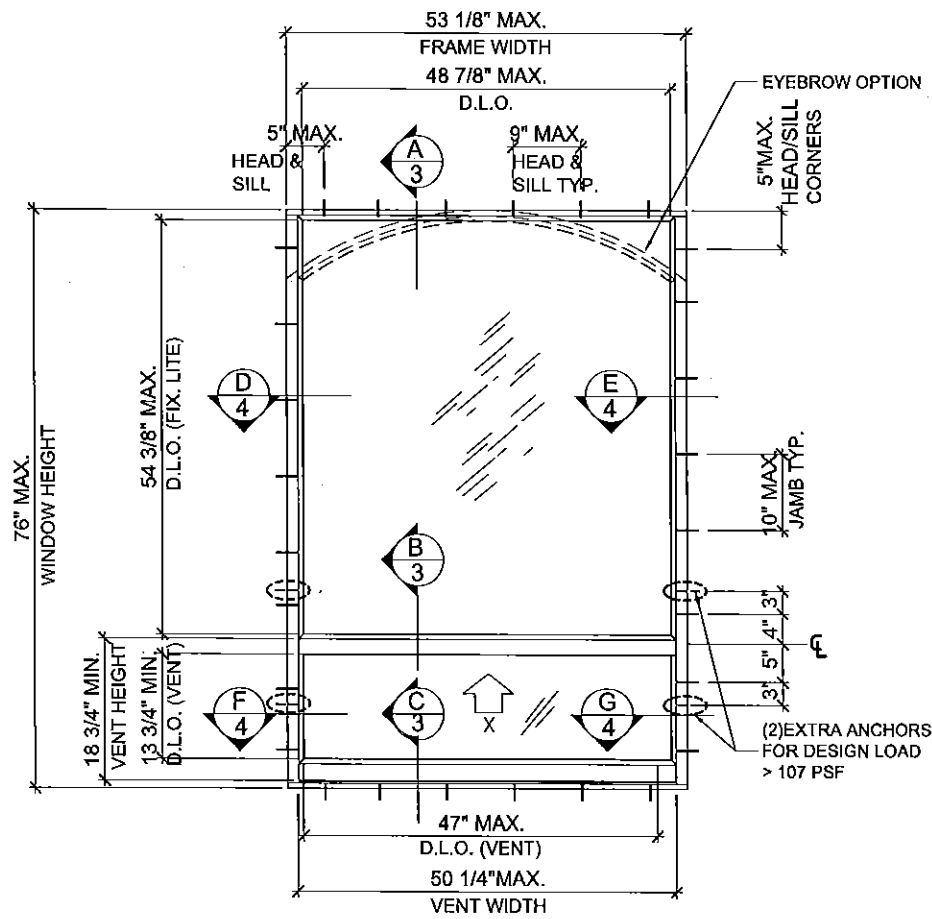
**F. STATEMENTS**

1. Statement letter of conformance, complying with **FBC-5<sup>th</sup> Edition (2014)**, and of no financial interest, dated May 12, 2014, issued by MCY Engineering, Inc., signed and sealed by Yiping Wang, P.E.
2. Laboratory compliance letter for Test Report No. **FTL-6057**, issued by Fenestration Testing Laboratory, Inc., dated October 05, 2009, signed and sealed by Julio E. Gonzalez, P.E.  
*(Submitted under NOA# 10-0422.06)*
3. Laboratory compliance letter for Test Report No. **FTL-5743**, issued by Fenestration Testing Laboratory, Inc., dated December 30, 2008, signed and sealed by Michael R. Wenzel, P.E.  
*(Submitted under NOA# 09-0413.06)*

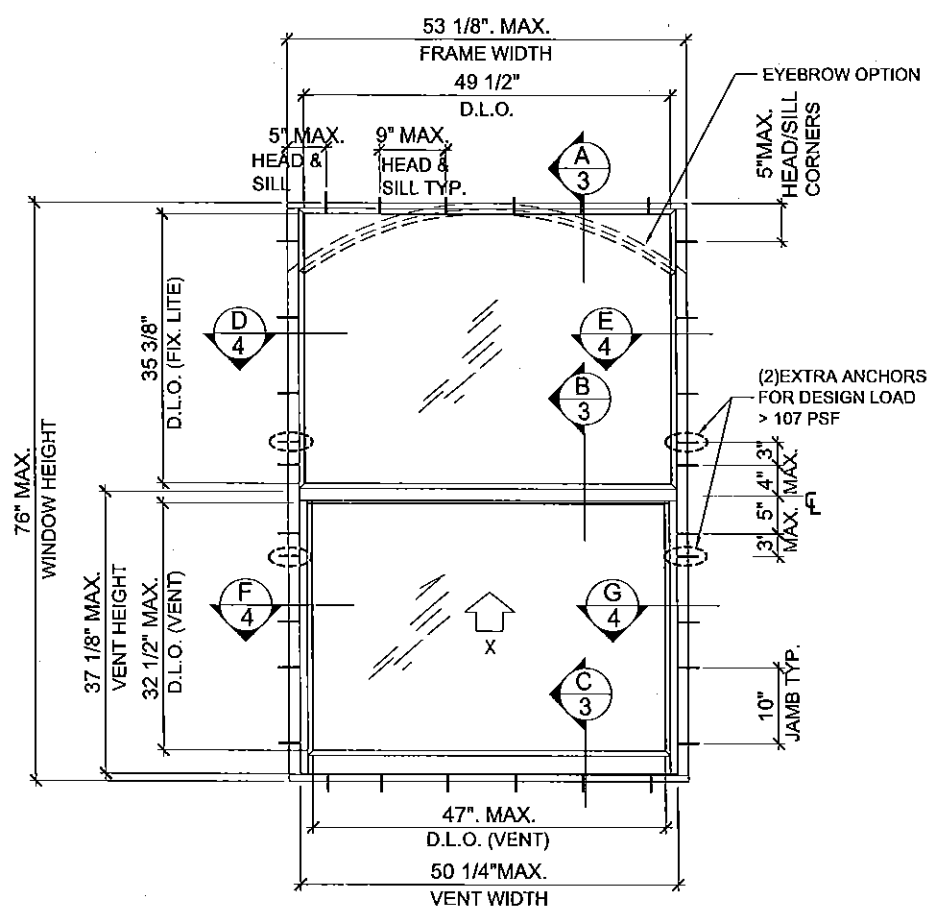
**G. OTHERS**

1. Notice of Acceptance No. **12-1128.02**, issued to Titan Glass & Aluminum, LLC for their Series "**TSH-2750**" Aluminum Single Hung Window – L.M.I.", approved on 12/27/12 and expiring on 06/24/14.

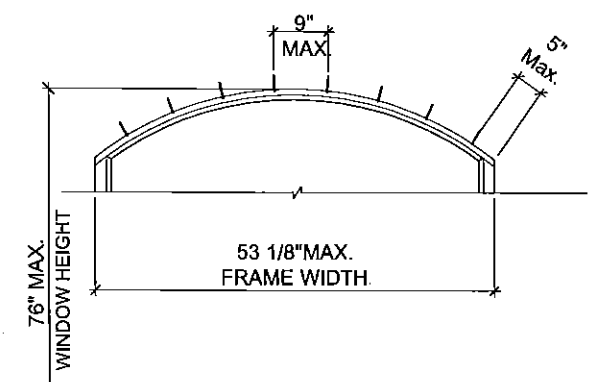
  
Manuel Perez, P.E.  
Product Control Examiner  
NOA No. 14-0515.02  
Expiration Date: June 24, 2019  
Approval Date: July 10, 2014



TYPICAL ELEVATION



TYPICAL ELEVATION



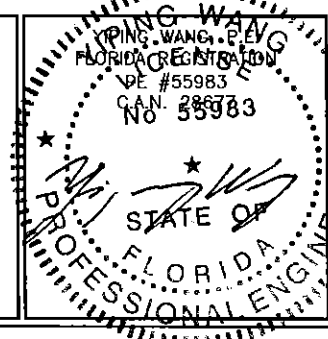
EYEBROW OPTION  
(FOR ORIAL OR EQUAL SASH)

**GENERAL NOTES:**

- THIS PRODUCT HAS BEEN DESIGNED AND TESTED TO COMPLY WITH THE REQUIREMENTS OF THE FLORIDA BUILDING CODE 2010/2014 EDITION INCLUDING HIGH VELOCITY HURRICANE ZONE (HVHZ).
- WINDOWS RATED FOR LARGE MISSILE IMPACT AND DO NOT REQUIRE SHUTTERS.
- THESE WINDOWS ARE APPROVED FOR AIR AND WATER INFILTRATION.
- ANCHORS SHALL BE AS LISTED, SPACED AS SHOWN ON DETAILS. ANCHORS EMBEDMENT TO BASE MATERIAL SHALL BE BEYOND WALL DRESSING OR STUCCO.
- ANCHORING OR LOADING CONDITIONS NOT SHOWN IN THESE DETAILS ARE NOT PART OF THIS APPROVAL.
- WOOD BUCKS BY OTHERS MUST BE SOUTHERN PINE, G = 0.55 AND MUST BE ANCHORED PROPERLY TO TRANSFER LOADS TO THE STRUCTURE.

- A LOAD DURATION FACTOR IN ALLOWABLE STRESS IS USED IN DESIGN OF ANCHORS INTO WOOD ONLY.
- PROVIDE 1/4" MAX. LOAD BEARING SHIM SPACE (TYP.).
- MATERIALS INCLUDING BUT NOT LIMITED TO STEEL/METAL SCREWS THAT COME INTO CONTACT WITH OTHER DISSIMILAR MATERIALS SHALL MEET THE REQUIREMENTS OF THE 2010/2014 FLORIDA BUILDING CODE SECTION AS APPLICABLE.
- METAL STRUCTURES BY OTHERS MUST SUPPORT LOADS IMPOSED BY WINDOW SYSTEM AND TRANSFER THEM TO THE BUILDING STRUCTURE.
- DESIGN LOAD OBTAINED FROM ASCE 7-10, MULTIPLY 0.6 SHALL BE LESS THAN OR EQUAL TO MAX. DESIGN LOAD IN THIS DOCUMENT.

PRODUCT REVISED  
as complying with the Florida  
Building Code  
Acceptance No **14-0515.02**  
Expiration Date **June 24, 2019**  
By *Manuel Perez*  
Miami Dade Product Control



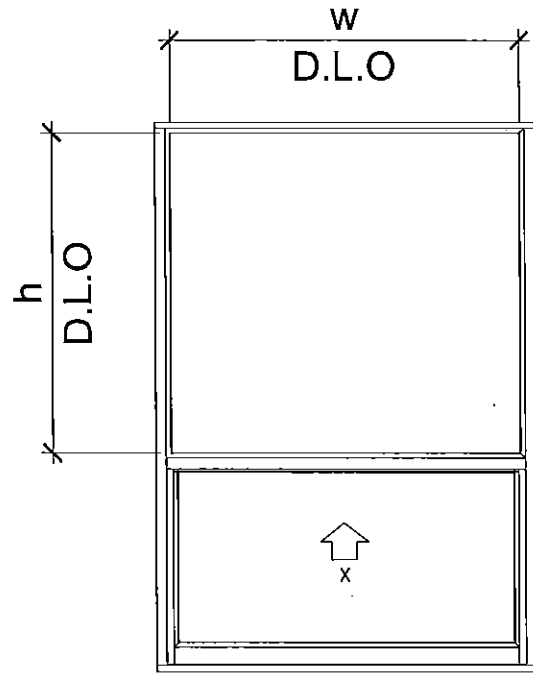
DATE	11/14/12
SCALE	AS SHOWN
DRAWN	W.L.
PROJECT	10-012
DRAWING NO.	AD10-05

NO.	DATE	DESCRIPTION
1	3/15/12	UPDATE TO 2010 FBC
2	5/1/14	UPDATE TO 2014 FBC

**MCY ENGINEERING, INC.**  
GLAZING CONSULTANTS  
8501 SW 124 AVE. STE. 205A P: 305.271.0117  
MIAMI, FL 33183 F: 305.921.4786  
www.MCYEngineering.com MCY.Engineering@Att.net

TSH-2750 ALUMINUM SINGLE HUNG WINDOW (LMI)  
TITAN GLASS & ALUMINUM, LLC.  
450 WEST 27th STREET  
HIALEAH, FL 33010  
P: (305) 888 - 0911 F: (305) 671 - 3840

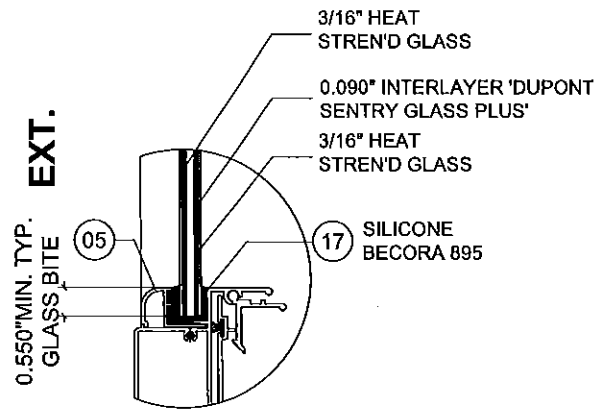
MAY 01 2014



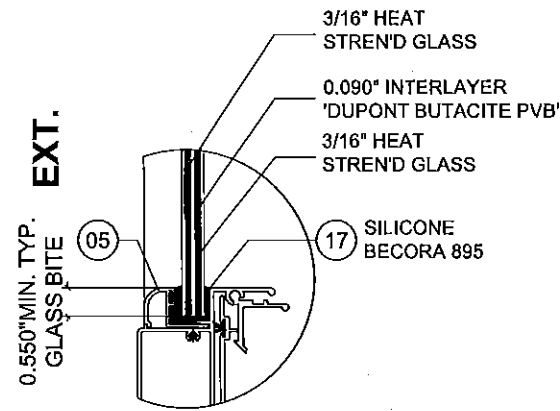
### SINGLE HUNG WINDOW SCHEDULE

	GLASS TYPE A	GLASS TYPE B	GLASS TYPE C
MAXIMUM DESIGN LOAD	+110.0 PSF -150.0 PSF	+110.0 PSF -150.0 PSF	+80.0 PSF -80.0 PSF
MAX. FIXED LITE GLASS AREA (w*h)	2640 IN <sup>2</sup>	1729 IN <sup>2</sup>	2640 IN <sup>2</sup>

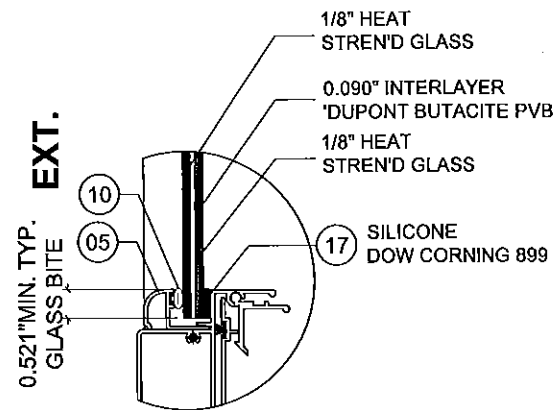
NOTE:  
SCHEDULE FOR UNEQUAL SASH HEIGHT ORIEL AND EQUAL SASH HEIGHT SINGLE HUNG WINDOW.  
ALSO FOR RECTANGULAR OR EYEBROW.



GLASS TYPE "A"



GLASS TYPE "B"



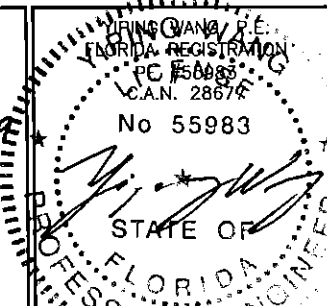
GLASS TYPE "C"

### GLAZING OPTIONS

NOTE:  
GLASS CAPACITIES ARE BASED ON ASTM E1300-02/04 ( 3 SEC. GUSTS)

GLAZING COMPLY WITH ASTM E1300-04

PRODUCT REVISED  
as complying with the Florida  
Building Code  
Acceptance No. 14-0515-02  
Expiration Date: June 24, 2019  
By *Manuel Perez*  
Miami Dade Product Control



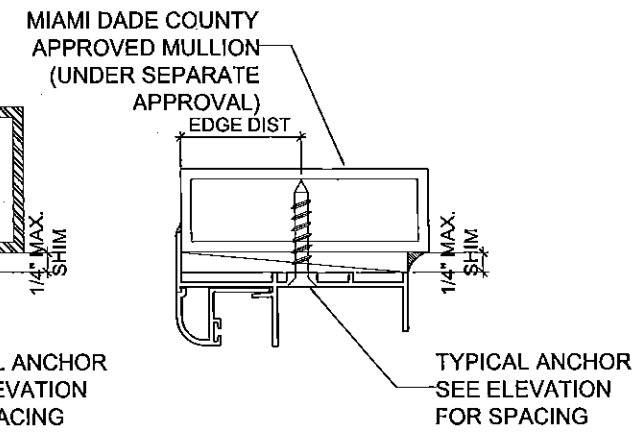
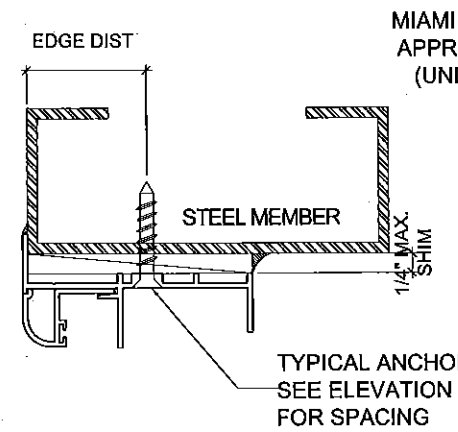
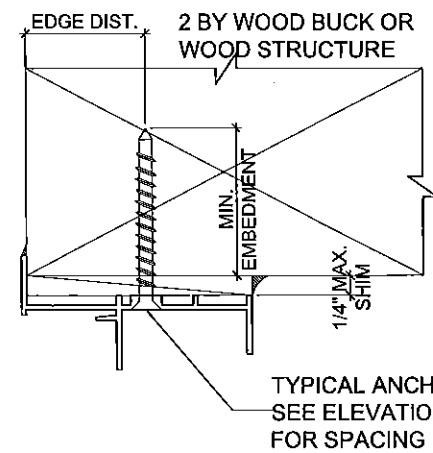
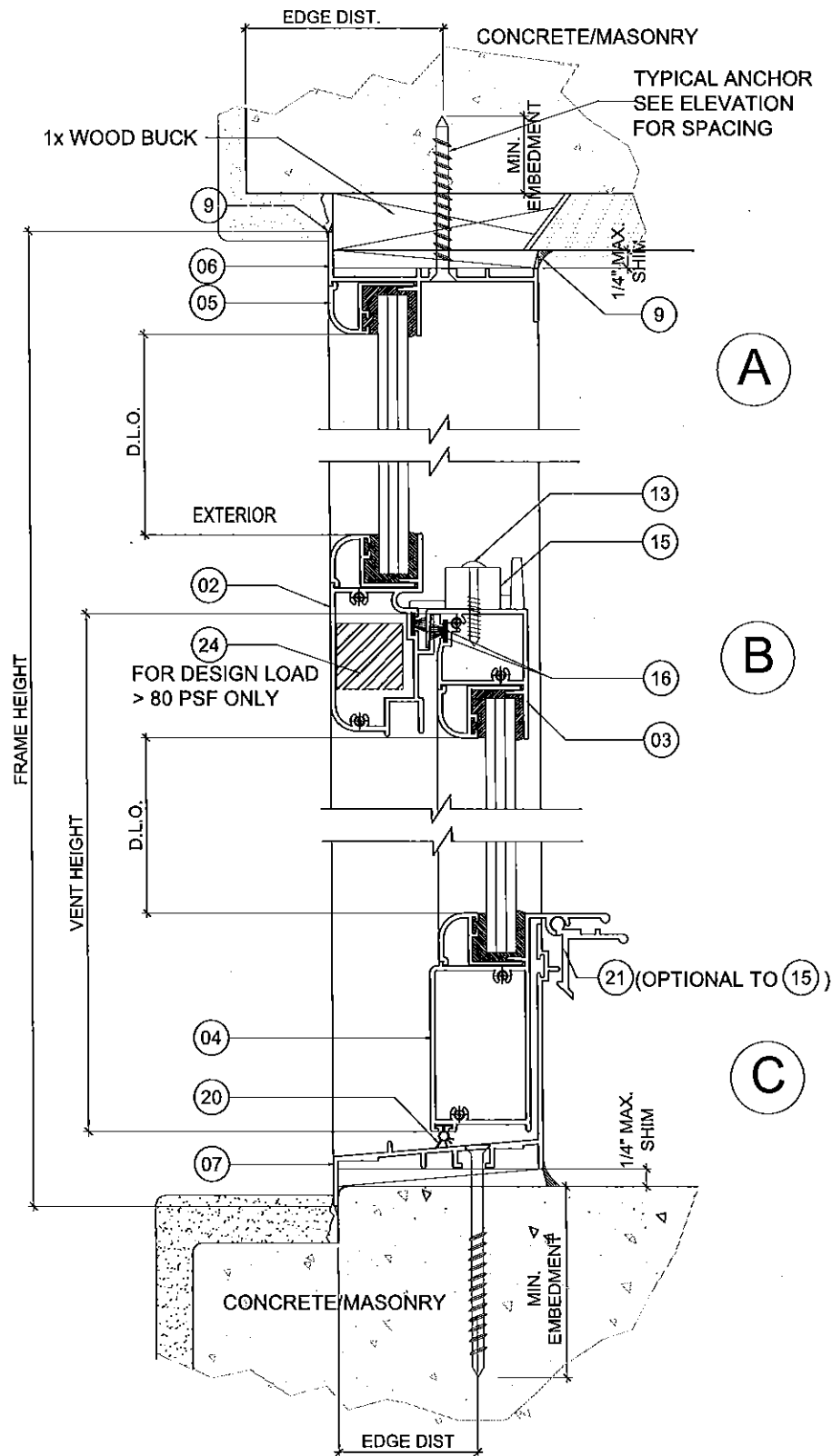
MIAMI DADE COUNTY

NO.	DATE	DESCRIPTION
1	3/15/12	UPDATE TO 2010 FBC
2	5/1/14	UPDATE TO 2014 FBC

**MCY ENGINEERING, INC.**  
GLAZING CONSULTANTS  
8501 SW 124 AVE. STE. 205A P: 305.271.0117  
MIAMI, FL 33183 F: 305.921.4786  
www.MCYEngineering.com MCY.Engineering@Att.net

TSH-2750 ALUMINUM SINGLE HUNG WINDOW (LMI)  
TITAN GLASS & ALUMINUM, LLC.  
450 WEST 27th STREET  
HIALEAH, FL 33010  
P: (305) 888-0911 F: (305) 671-3840

DATE	11/14/12
SCALE	AS SHOWN
DRAWN	W.L.
PROJECT	10-012
DRAWING NO.	AD10-05
2 OF 6	



**TYPICAL ANCHORS:** SEE ELEV. FOR SPACING

**TYPE 'A'** 1/4" DIA. HILTI KWIK-CON II (Fy=157 KSI, Fu=163 KSI)

- INTO 2BY WOOD BUCKS OR WOOD STRUCTURES  
1-1/2" MIN. WOOD PENETRATION
- THRU 1BY WOOD BUCKS INTO MASONRY OR CONC.  
1-5/8" MIN. EMBED INTO MASONRY OR CONC.
- DIRECTLY INTO MASONRY OR CONCRETE  
1-5/8" MIN. EMBED INTO MASONRY OR CONCRETE

**TYPE 'B'** 1/4" DIA. TEKS OR SELF DRILLING SCREWS (Fy=92 KSI, Fu=120 KSI)

- INTO METAL STRUCTURES  
STEEL : 12 GA. MIN. (Fy = 36 KSI MIN.)  
ALUMINUM : 1/8" THK. MIN. (6063-T5 MIN.)  
(STEEL IN CONTACT WITH ALUMINUM TO BE PLATED OR PAINTED)

**TYPICAL EDGE DISTANCE:**

- INTO CONCRETE AND MASONRY:  
2" MIN. AT JAMB & 1-1/2" AT HEAD & SILL
- INTO WOOD STRUCTURE = 1" MIN.
- INTO METAL STRUCTURE = 3/4" MIN.

**SEALANT:**

ALL FRAME CORNERS, VENT CORNERS AND EACH END OF THE FIXED MEETING RAILS

**WEEP HOLES:**

1/4" LONG WEEP HOLES NOTCH ONE AT EACH END.

REVISIONS	
NO.	DESCRIPTION
1	3/15/12 UPDATE TO 2010 FBC
2	5/1/14 UPDATE TO 2014 FBC

**MCY ENGINEERING, INC.**  
GLAZING CONSULTANTS

8501 SW 124 AVE. STE. 205A P: 305.271.0117  
MIAMI, FL 33183 F: 305.921.4786  
www.MCYEngineering.com MCY.Engineering@att.net

**TSH-2750 ALUMINUM SINGLE HUNG WINDOW (LMI)**

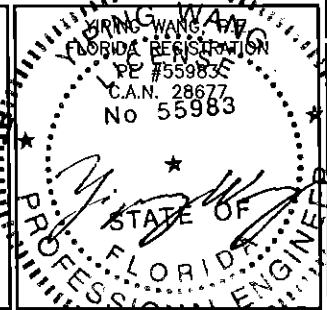
TITAN GLASS & ALUMINUM, LLC.  
450 WEST 27th STREET  
HIALEAH, FL 33010  
P: (305) 888 - 0911 F: (305) 671 - 3840

DATE	11/14/12
SCALE	AS SHOWN
DRAWN	W.L.
PROJECT	10-012

DRAWING NO. AD10-05

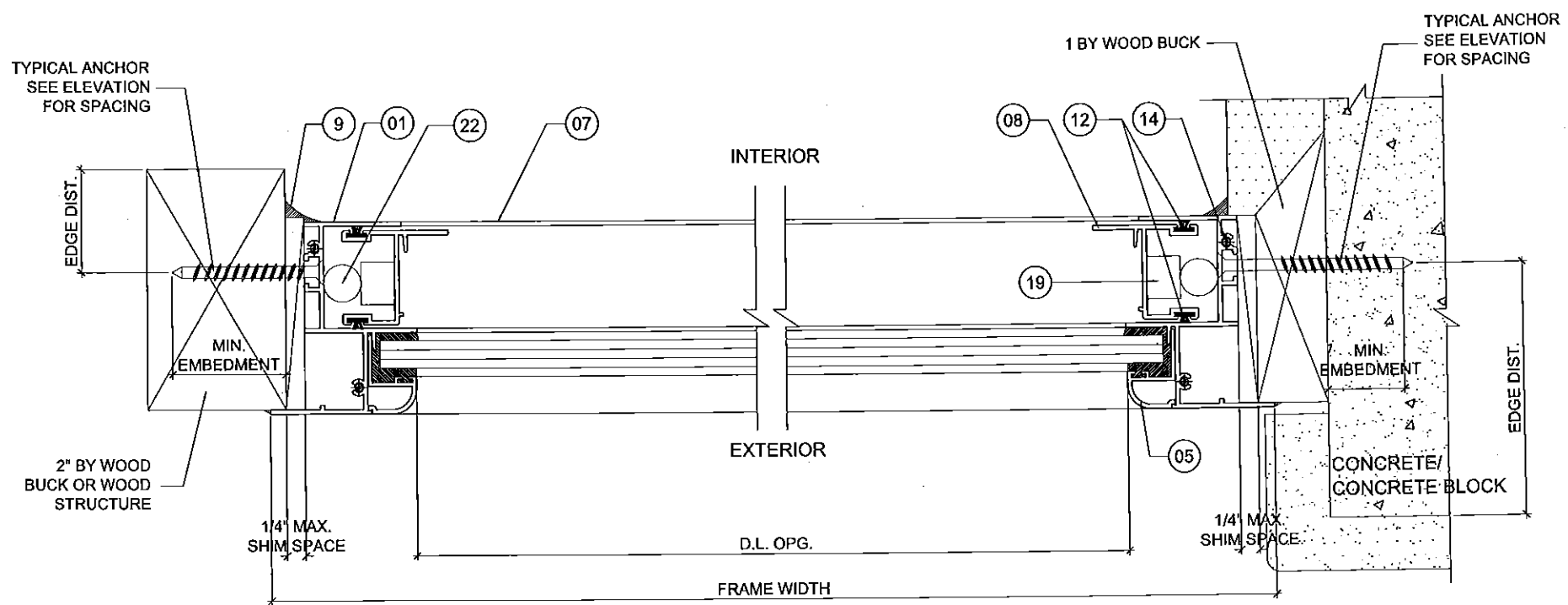
3 OF 6

PRODUCT REVISED as complying with the Florida Building Code  
Acceptance No 14-0515-02  
Expiration Date June 24, 2018  
By Manuel Perez  
Miami Dade Product Control



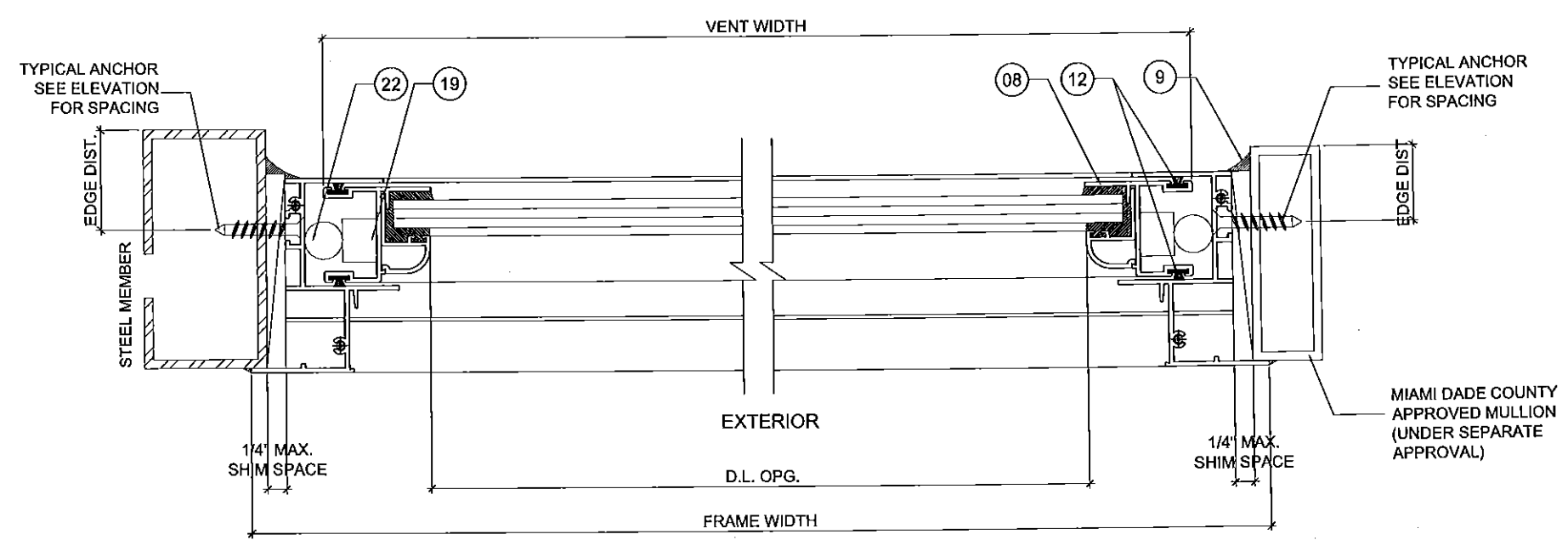
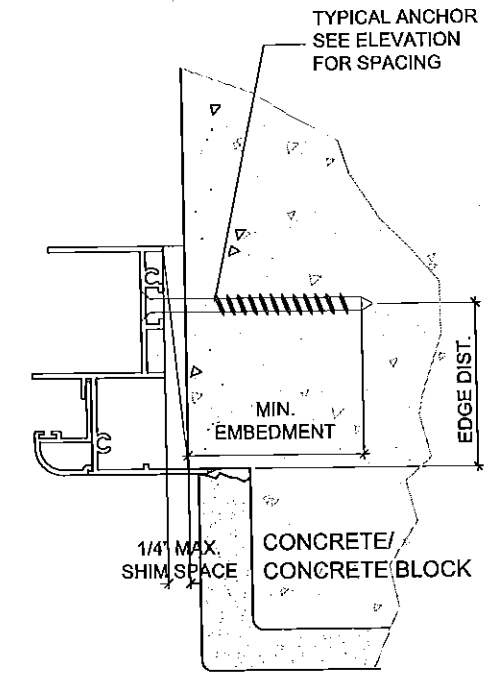
MAY 01 2014

MIAMI DADE COUNTY



D

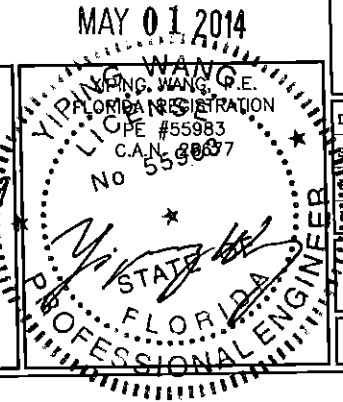
E



F

G

PRODUCT REVISED  
 as complying with the Florida  
 Building Code  
 Acceptance No 14-0515-02  
 Expiration Date June 24, 2019  
 By Manuel Perez  
 Miami Dade Product Control

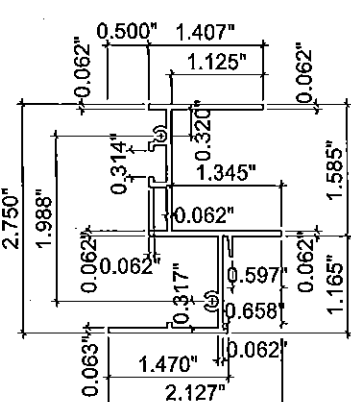


NO.	DATE	DESCRIPTION
1	3/15/12	UPDATE TO 2010 FBC
2	5/1/14	UPDATE TO 2014 FBC

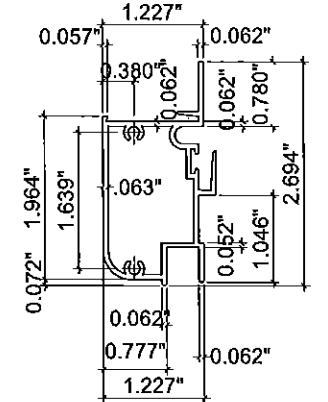
**MCY**  
**MCY ENGINEERING, INC.**  
 GLAZING CONSULTANTS  
 8501 SW 124 AVE. STE. 205A P: 305.271.0117  
 MIAMI, FL 33183 F: 305.921.4786  
 www.MCYEngineering.com MCY.Engineering@Att.net

TSH-2750 ALUMINUM SINGLE HUNG WINDOW (LMI)  
**TITAN GLASS & ALUMINUM, L.L.C.**  
 450 WEST 27th STREET  
 HIALEAH, FL 33010  
 P: (305) 888-0911 F: (305) 671-8840

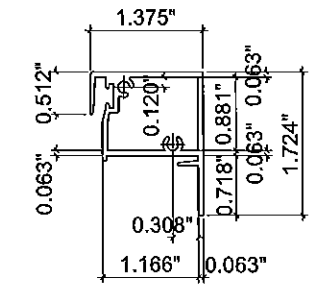
DATE	11/14/12
SCALE	AS SHOWN
DRAWN	W.L.
PROJECT	10-012
DRAWING NO.	AD10-05
4 OF 6	



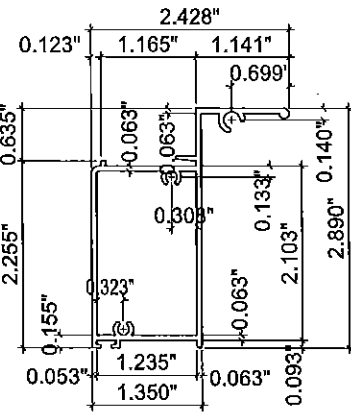
**01** FRAME JAMB  
6063-T6



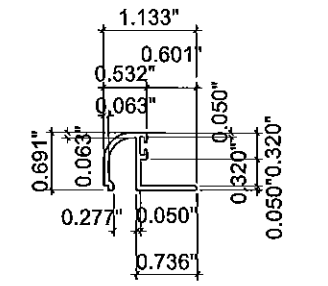
**02** FIXED MEETING RAIL  
6063-T6



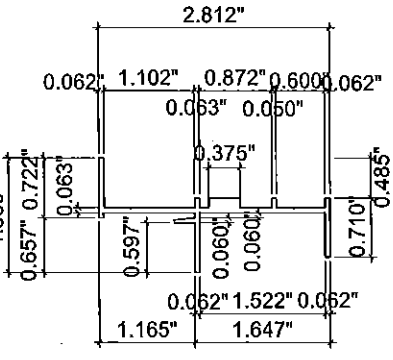
**03** VENT MEETING RAIL  
6063-T6



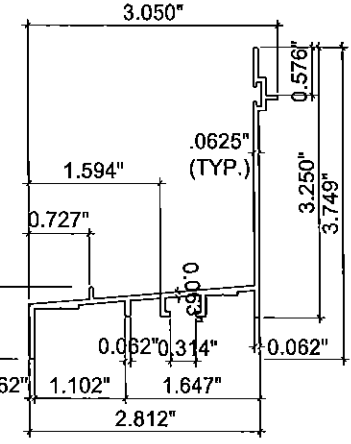
**04** VENT BOTTOM RAIL  
6063-T6



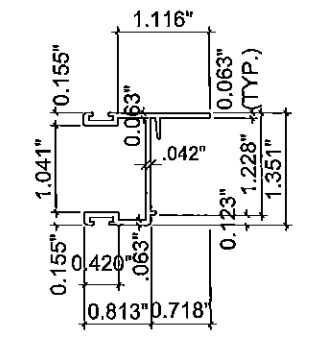
**05** GLAZING BEAD  
6063-T6



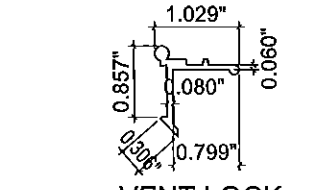
**06** FRAME HEAD  
6063-T6



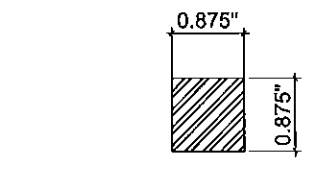
**07** FRAME SILL  
6063-T6



**08** VENT STILE  
6063-T6



**21** VENT LOCK  
6063-T6



**24** STEEL INSERT

**BILL OF MATERIAL**

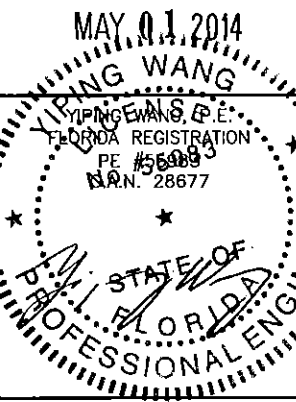
ITEM #	PART	DESCRIPTION	MATERIAL
01	FSP 015	FRAME JAMB	6063-T6
02	FSP 041	FIXED MEETING RAIL	6063-T6
03	FSP 018	VENT MEETING RAIL	6063-T6
04	FSP 042	VENT BOTTOM RAIL	6063-T6
05	FSP 017	GLAZING BEAD	6063-T6
06	FSP 014	FRAME HEAD	6063-T6
07	FSP 040	FRAME SILL	6063-T6
08	FSP 016	VENT STILE	6063-T6
9	SILICONE	SEALANT, AT FRAME CORNERS, VENT CORNERS AND EACH END OF THE FIXED MEETING RAIL.	NON STRUCTURAL SILICONE
10		VINYL BULB	-
11	FASTENER	#8 X 1 1/2" PH SMS (SS) VENT CORNER FASTENERS	-
12		WEATHER STRIP	-
13	FASTENER	#8 X 5/8" PH SMS (SS) LATCH LOCK FASTENER	-
14	FASTENER	#8 X 1 1/2" PH SMS (SS) FRAME CORNER FASTENERS	-
15		LATCH LOCK	-
16		WEATHER STRIP	-
17	SILICONE	PECORA 896	STRUCTURAL SILICONE
18	NYLON GUIDES	(4) NYLON GUIDES LOCATED AT 3 1/8" AND 36 3/4" FROM BOTTOM OF VENT STILE USING (1) #6X3/8" F.H. S.M.S.	-
19	NYLON GUIDES	(2) NYLON GUIDES LOCATED AT EACH END OF VENT MEETING RAIL USING (2) #8X1 1/2" P.H. S.M.S.	-
20		VENT VINYL BULB	-
21	FSP 021	VENT LOCK	-
22		BALANCE	-
23	SURFACE MOUNT METALLIC CLIPS	(2) CLIPS AT EACH VENT BOTTOM RAIL CONNECTED USING (2) #8X5/8" F.H. S.M.S.	-
24		7/8" X 7/8" CONT. STEEL BAR, ZINC PLATED USED WHEN DESIGN LOAD > 80 PSF	ASTM A-36

NO.	DATE	DESCRIPTION
1	3/15/12	UPDATE TO 2010 FBC
2	5/1/14	UPDATE TO 2014 FBC

**MCY**  
**MCY ENGINEERING, INC.**  
 GLAZING CONSULTANTS  
 8501 SW 124 AVE. STE. 205A P: 305.271.0117  
 MIAMI, FL 33163 F: 305.921.4786  
 www.MCYEngineering.com MCY.Engineering@Att.net

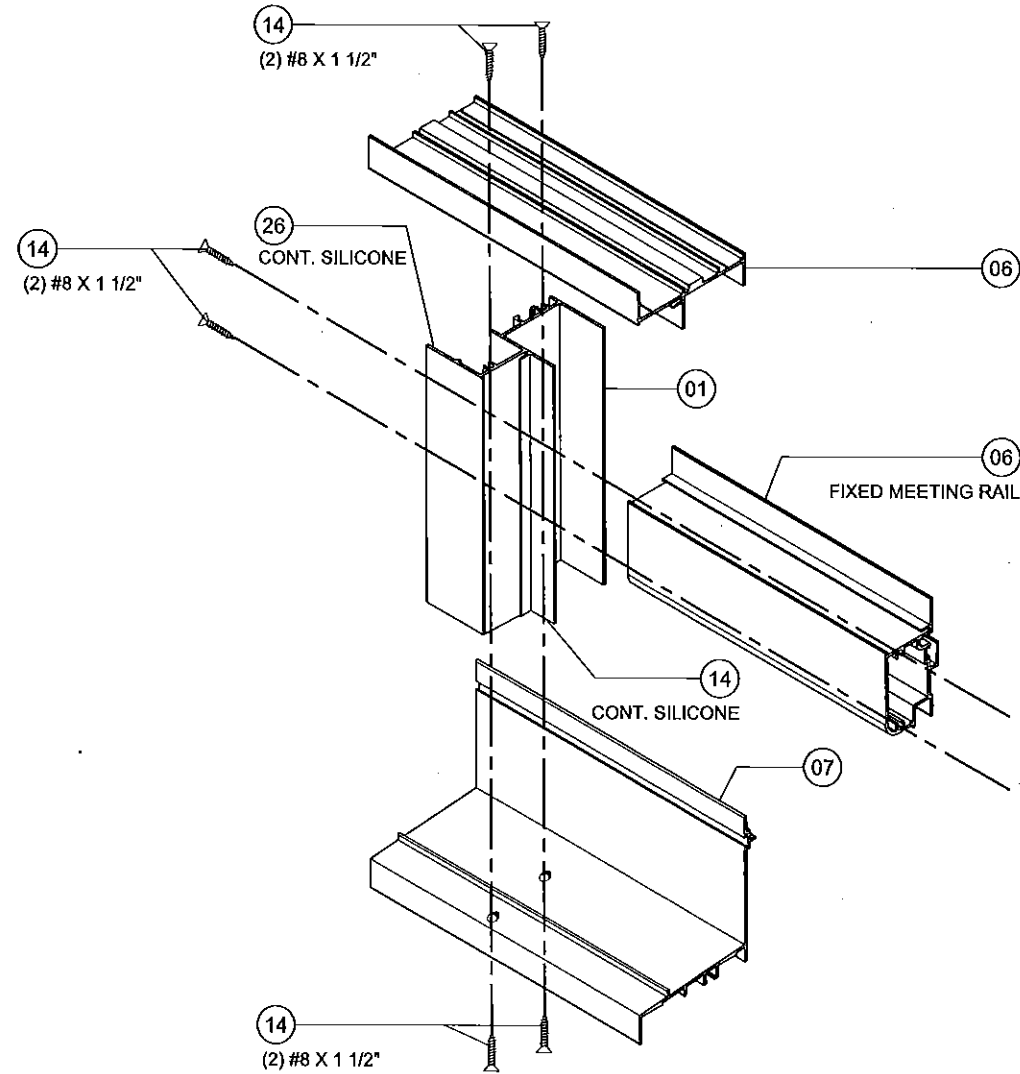
TSH-2750 ALUMINUM SINGLE HUNG WINDOW (LMI)  
 TITAN GLASS & ALUMINUM, LLC.  
 450 WEST 27th STREET  
 HIALEAH, FL 33010  
 P: (305) 888-0911 F: (305) 671-3840

PRODUCT REVISED  
 as complying with the Florida  
 Building Code  
 Acceptance No 14-0515-02  
 Expiration Date June 24, 2019  
 By *Manuel Perez*  
 Miami Dade Product Control

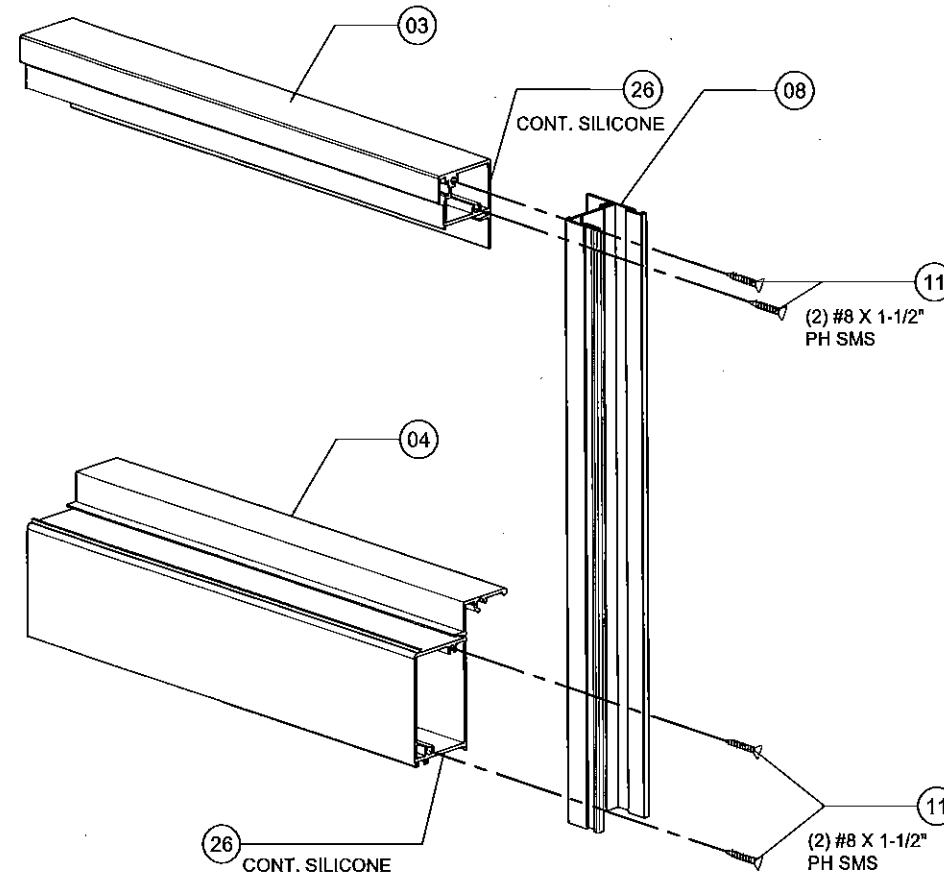


DATE	11/14/12
SCALE	AS SHOWN
DRAWN	W.L.
PROJECT	10-012
DRAWING NO.	AD10-05
5 OF 6	



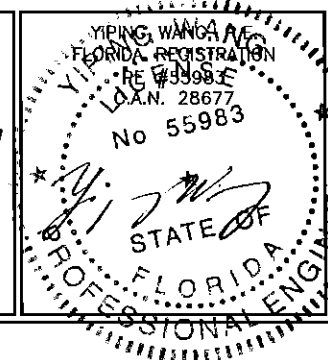


CORNER CONNECTION  
AT FRAME HEAD AND SILL  
SCALE 4"=1'-0"



CORNER CONNECTION  
AT OPERABLE VENT (X)  
SCALE 4"=1'-0"

PRODUCT REVISED  
as complying with the Florida  
Building Code  
Acceptance No 14-0515-07  
Expiration Date June 24, 2019  
By Manuel Ruiz  
Miami Dade Product Control  
MIAMI DADE COUNTY



MAY 01 2014

NO.	DATE	DESCRIPTION
1	3/15/12	UPDATE TO 2010 FBC
2	5/1/14	UPDATE TO 2014 FBC

**MCY**  
**MCY ENGINEERING, INC.**  
 GLAZING CONSULTANTS  
 6501 SW 124 AVE. STE. 205A P: 305.271.0117  
 MIAMI, FL. 33183 F: 305.921.4786  
 www.MCYEngineering.com MCY.Engineering@Att.net

TSH-2750 ALUMINUM SINGLE HUNG WINDOW (LMI)  
 TITAN GLASS & ALUMINUM, LLC.  
 450 WEST 27th STREET  
 HIALEAH, FL 33010  
 P: (305) 888-0911 F: (305) 671-3840

DATE	11/14/12
SCALE	AS SHOWN
DRAWN	W.L.
PROJECT	10-012
DRAWING NO.	AD10-05
6 OF 6	